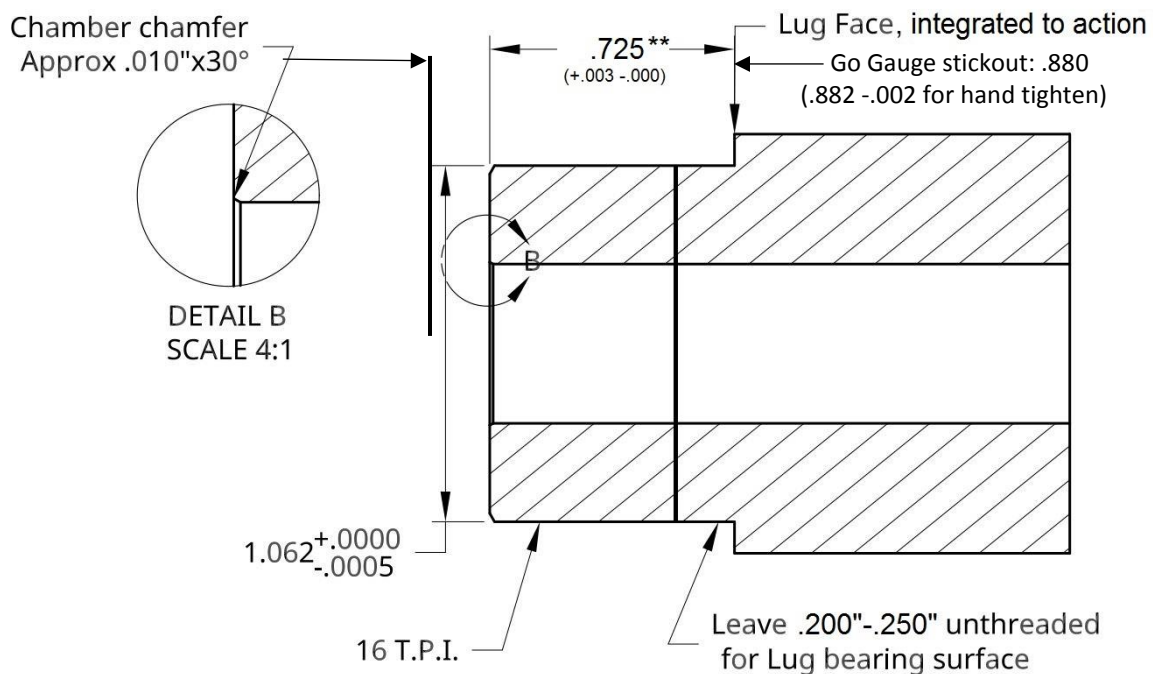


## Curtis Custom Vector Action threaded tenon spec.

This tenon drawing is provided only as a setup guideline at minimum cartridge SAMMI specification. It is the sole responsibility of a qualified gunsmith to verify all dimensions in order to allow for proper clearances.



\*\*Note that .725 gives a max total of .012" bolt nose to barrel face clearance for thread an approximate .002 thread crush if barrel is to be torqued on at a value no greater than 100 ft/lbs. Add up to .002 to this dimension if barrel is to be hand tightened for a switch barrel application.